

◆ Technical Data:

Model:PR-12DC-DA-R-E

GENERAL SPECIFICATIONS

Timers : 64

Counters : 64

Function Blocks: 64

Operation temp. : -20°C-55°C

Storage:-40°C-70°C

Protection: IP20

RTC accuracy : MAX ±2S/day

RTC Backup at 25 °C : 20 days

Program and settings Backup :10 years

Data Power-off retentivity : No

Cycle time: typ. 0.6ms → 8.0ms

Dimensions: 72*90*58 (Unit, mm)

Certificate: CE,ROHS

Installation: 35mm-DIN rail or screw for installation

Expansion capacity: No

Password protection : 4-digit number password protection or disable program upload function

Communication interface : TTL interface , 1 Program/RS232 port

Communication protocol : Modbus RTU/ASCII , only can serve as slaves

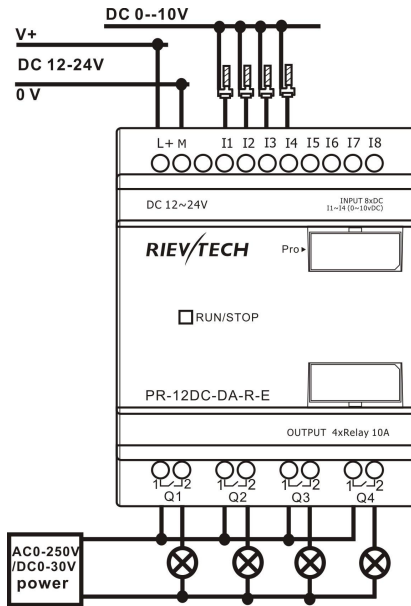
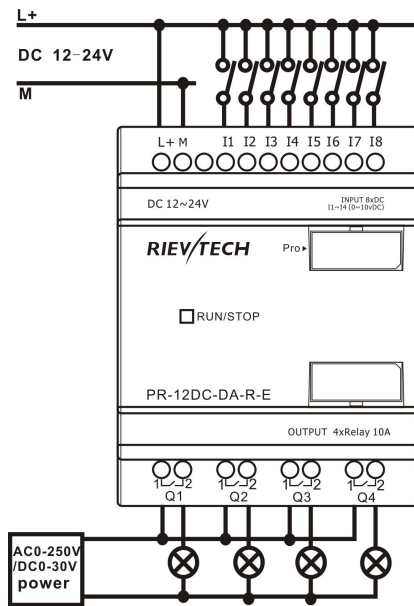
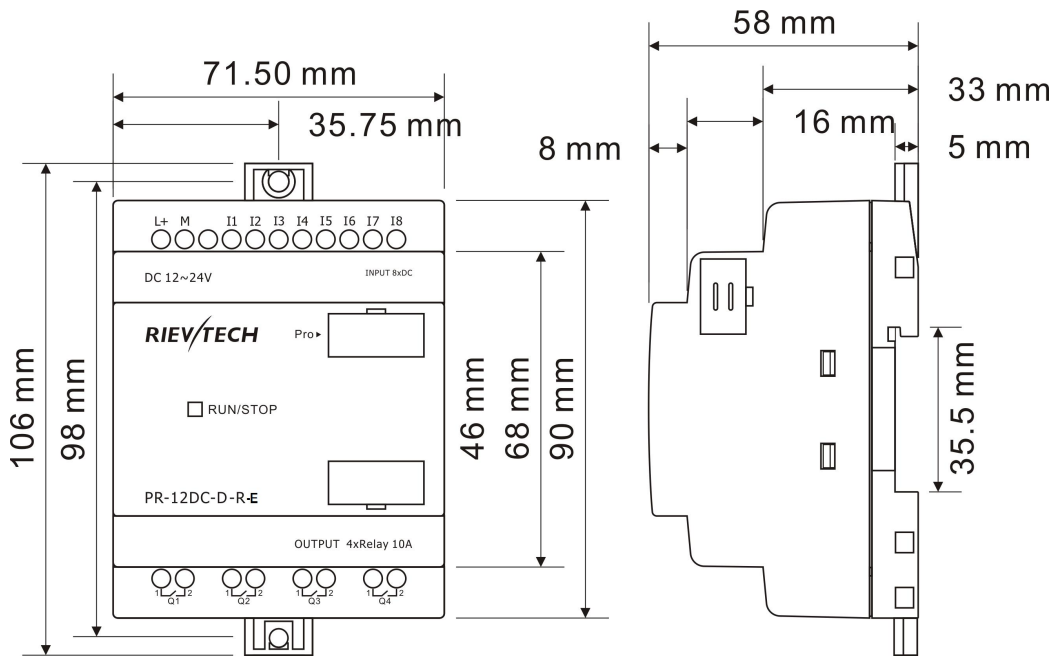


Technical Index

Power supply:	
Nominal voltage	DC 12-24V
Operating limits	DC 10.8-28.8V
Immunity from micro power cuts	Typ.5 ms
Max. Startup current	Max. 0.25A
Max. absorbed power	3.2 W (10.8V dc) ; 3.8 W (28.8V dc)
Protection against polarity inversions	Yes
Input parameters:	
Input No	8 (I1-I8)
Digital input	8 (I1-I8)
Analogue input	4 (I1-I4)(0..10V DC)
Digital inputs(I5-I8)	
Input voltage	DC0-28.8V
Input signal0	< 5V DC; <1mA
Input signal1	> 8 V DC;>1.7mA
Input current	2.3mA @ 10.8V dc 2.6mA @ 12.0 V dc 5.2 mA @ 24 V dc 6.3 mA @ 28.8 V dc
Response time	0 to 1 : <1 ms ; 1 to 0 : <1 ms
Maximum counting frequency	Typ.: 4 HZ

Sensor type	Contact or 3-wire PNP
Input type	Resistive
Isolation between power supply and inputs	None
Isolation between inputs	None
Inputs used as digital inputs(I1-I4)	
Input voltage	DC0-28.8V
Input signal0	< 5V DC;<0.1mA
Input signal1	> 8 V DC;>0.3mA
Input current	0.4mA @ 10.8V dc 0.5mA @ 12.0 V dc 1.2mA @ 24 V dc 1.5mA @ 28.8 V dc
Response time	0 to 1 : Typ. 1.5 ms ; 1 to 0 : Typ. 1.5 ms
Maximum counting frequency	Typ.: 4 HZ
Sensor type	Contact or 3-wire PNP
Input type	Resistive
Isolation between power supply and inputs	None
Isolation between inputs	None
Inputs used as analog inputs(I1-I4)	
Measurement range	DC 0---10V
Input impedance	Min, 24K Ω ; Max. 72K Ω
Input voltage	28.8 V DC max
Resolution	9bit ,0.015V
Accuracy at 25 °C	\pm (Max.0.03)V
Accuracy at 55 °C	\pm (Max.0.06)V
Isolation between analog channel and power supply	None
Cable length	10 m max. shielded and twisted
Output parameters:	
Output No.	4 (Q1-Q4)
Output type	Relay output
Continuous current	Resistive load 10A/Inductive load 2A
Max. breaking voltage	AC 250 V DC 110 V
Max. Allowable Power Force	1250VA 300W
Electrical durability Expectancy	10 ⁵ Operations at Rated Resistive Load
Mechanical life	10 ⁷ Operations at No Load condition
Response time	Operate Time : 15 mSec. Max. Release Time : 10 mSec. Max.
Built-in protections	Against short-circuits: None Against overvoltages and overloads: None
Switch frequency:	
Mechanism	10Hz
Resistor/light load	2Hz
Sensitive load	0.5Hz
Other parameters:	
Weight	Approx.300g

Installation Dimensions & Wiring Diagram



SYSTEM					
Operating System requirements		Windows /2000/XP/WIN7/WIN8			
Programming languages		Function block			
Program Memory		64			
Execution Speed		<0.1ms per function			
LCD Display		No			
Functions		Up to 70 function blocks			
BASIC					
Timers					
Maximum Number	64	a.On-delay; b.Off-delay etc. Up to 12 kind Timers			
Timing Ranges	10ms--99 h59m				
Counters					
Maximum Number	64	a.Up/down Counter b.Hours Counter c.Frequency Threshold Trigger			
Highest Count	99999999				
Resolution	1				
RTC					
Number available	64	a.Weekly Timer b.Yearly Timer			
Resolution	1 min				
Time span available	Week/year-month-day-hour-min				
Flags				a.Digital Flag b.Analog Flag	
Digital flags	32				
Analog flags	32				
PI Functions				a.PI Controller	
Number available	Not available				
Parameter Ranges	----				
Analog Math				a.Analog Math b.Analog Math Error detection	
Number available	Not available				
Function	---				
Analog Ramp Function				a. Analog Ramp	
Number available	Not available				
Compare Function				a.Analog compactor b.Comparison of 2 values	
Number available	64				
Special Functions					
HMI Screens					
Number available	Not available	a.Message texts			
Display/Edit	----				
PWM Functions					
Number available	Not available				
Communication Functions					
Number available	Not available(it only can work as slave)	a.Modbus write b.Modbus read			
Analog threshold trigger	Analog amplifier				
Analog differential trigger	Data Latching relay			Pulse Relay	Shift register
AND	NAND	OR	XOR		