

◆ **Technical Data:**

Model:EXM-8AC-R



GENERAL SPECIFICATIONS

Timers : 512

Counters : 512

SMS Message input: 32

SMS Message output: 64

SMS Message input output: 12

Function Blocks: 512

Operation temp.: -20°C-55°C

Storage:-40°C-70°C

Protection: IP20(Non-waterproof)

RTC accuracy : MAX ±2S/day

RTC Backup at 25 °C: 20 days

Program and settings Backup :10 years

Data Power-off retentivity: 10 years

Modify parameters via keypad LCD: yes

Dimensions: 95*90*67 (Unit: mm)

Certificate: CE

Installation: 35-DIN rail or screw for installation

Expansion capacity: 8 modules (EXM-E-8)

Password protection : 4-digit number password protection or disable program upload function

Communication interface : 1 RS232 port /TTL. The extension port can be worked as RS485 port,
if no IO extension used with CPU.

Communication protocol : Modbus RTU/ASCII

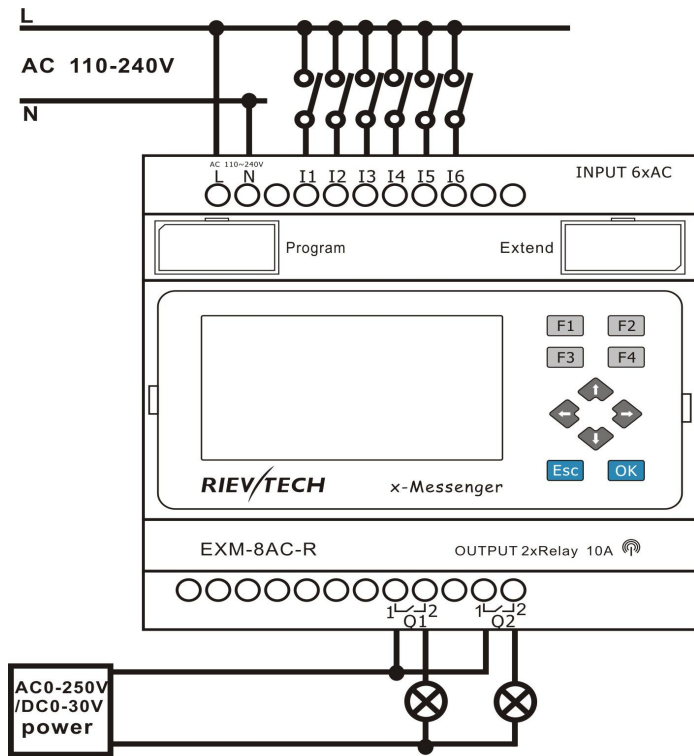
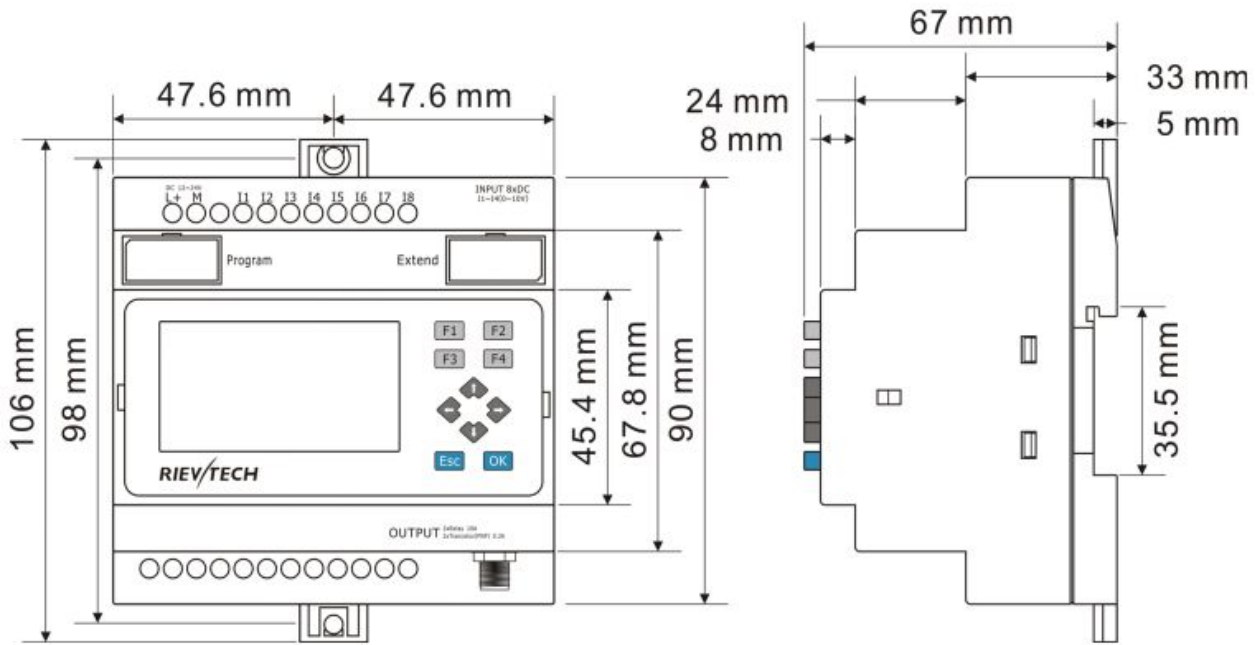


Technical Index

Power supply:	
Nominal voltage	AC 110-240V
Operating limits	AC 85-265V
Immunity from micro power cuts	Typ.5 ms
The main frequency range	47-63Hz
Max. absorbed power	86mA (85V ac) ; 35mA (265V ac)
Isolation voltage	1780V AC
Protection against polarity inversions	Yes
Input parameters:	
Input No	6 (I1-I6)
Digital input	6 (I1-I6)
Analogue input	None
Input voltage	AC110-240V
Input signal0	AC0-40V; <0.03mA
Input signal1	AC79-240V; >0.06mA
Input Response Time	Delay time at 0 to 1: 120V AC : Typ. 50 ms

	240V AC : Typ. 30 ms Delay time at 1 to 0: 120V AC : Typ. 90 ms 240V AC : Typ.100 ms
Maximum counting frequency	Typ. 4Hz
Sensor type	Contact or 3-wire PNP
Isolation between power supply and inputs	None
Isolation between inputs	None
Protection against polarity inversions	Yes
Input voltage	AC110-240V
Input signal0	AC0-40V; <0.03mA
Output parameters:	
Output No.	2 (Q1-Q2)
Output type	2Relay output
Continuous current	Resistive load 10A/Inductive load 2A
Max. breaking voltage	AC 250 V DC 30 V
Max. Allowable Power Force	(Q1-Q2)1250VA 300W
Electrical durability Expectancy	10 ⁵ Operations at Rated Resistive Load
Mechanical life	10 ⁷ Operations at No Load condition
Response time	Operate Time : 15 mSec. Max. Release Time : 10 mSec. Max.
Built-in protections	Against overloads and short-circuits: No Against overvoltages (*): No
Galvanic isolation	None
Switch frequency:	
Mechanism	10Hz
Resistor/light load	2Hz
Sensitive load	0.5Hz
GSM parameter	
Type of mobile wireless service	SMS, GPRS
Operating frequency	850MHz,900MHz,1800MHz,1900MHz,
for GPRS transmission / with downlink / maximum	80 kbit/s
for GPRS transmission / with uplink / maximum	40 kbit/s
Other parameters:	
Ethernet interface	No
Voice alarming	No
Weight	Approx.500g

Installation Dimensions & Wiring Diagram



SYSTEM				FUNCTION BLOCKS	
Operating System requirements		Windows /2000/XP/WIN7/WIN8			
Programming languages		Function block			
Program Memory		512			
Execution Speed		<0.1ms per function			
LCD Display		4 lines x 16 characters			
Functions		Up to 70 function blocks			
BASIC					
Timers				<ul style="list-style-type: none"> a. On-delay; b. Off-delay etc. Up to 12 kind Timers	
Maximum Number	512				
Timing Ranges	10ms--99 h59m				
Counters				<ul style="list-style-type: none"> a. Up/down Counter b. Hours Counter c. Frequency Threshold Trigger 	
Maximum Number	512				
Highest Count	99999999				
Resolution	1				
RTC				<ul style="list-style-type: none"> a. Weekly Timer b. Yearly Timer 	
Number available	512				
Resolution	1 min				
Time span available	Week/year-month-day-hour-min				
Flags				<ul style="list-style-type: none"> a. Digital Flag b. Analog Flag 	
Digital flags	128				
Analog flags	256				
PI Functions				<ul style="list-style-type: none"> a. PI Controller 	
Number available	30				
Parameter Ranges	1-32767				
Analog Math				<ul style="list-style-type: none"> a. Analog Math b. Analog Math Error detection 	
Number available	512				
Function	ADD, Subtract, Multiply, Divide				
Analog Ramp Function				<ul style="list-style-type: none"> a. Analog Ramp 	
Number available	55				
Compare Function				<ul style="list-style-type: none"> a. Analog compactor b. Comparison of 2 values 	
Number available	512				
Special Functions					
HMI Screens				<ul style="list-style-type: none"> a. Message texts 	
Number available	128				
Display/Edit	Preset Current value and Free text				
SMS Functions (sms message input; sms message output; sms message input output)					
Number available	(32; 64; 12)				
Communication Functions				<ul style="list-style-type: none"> a. Modbus write b. Modbus read 	
Number available	512(Only CPU works as Master need these 2 blocks, slave does not need)				
Word/bit data Conversion	Square Boot	Sin/Cos	RS latch relay		
Data-logger Function	Analog watchdog	Analog filter	Average value		
Pumps Management	Defrost function	Multiplexer	Pulse Relay		
Cam Control	Astronomical clock	Stop watch	Boolean function		
Note: 1. Not all program functions are listed in this table i.e. AND, NAND, OR, NOT, NOR, XOR, SHIFT REGISTER, DATA LATCHING RELAY, COMPORT STATUS etc.					

